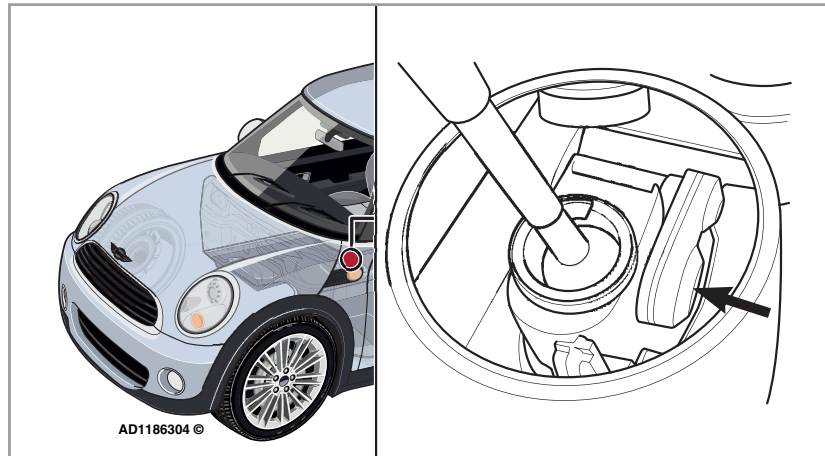


Q We are having trouble diagnosing a fault on a 2008 MINI Cooper with a manual transmission. The gear lever is difficult to operate and reverse gear is hard to select. We have visually checked the gear selector cables and gear selector unit but we cannot find any obvious fault. Has anyone reported this fault before?

A This fault has been reported to us and affects MINI models R56 and R57 2006-09 with manual transmission. The fault is due to contact between the gear lever mechanism and the floor covering, which has not been cut out correctly. Release the gear lever gaiter. Cut out the floor covering under the centre console to avoid contact with the gear lever mechanism Fig1. Operate the gear lever to confirm the fault is resolved. If the gear lever mechanism operation is not smooth, renew the gear selector cables.



AD1186304 ©